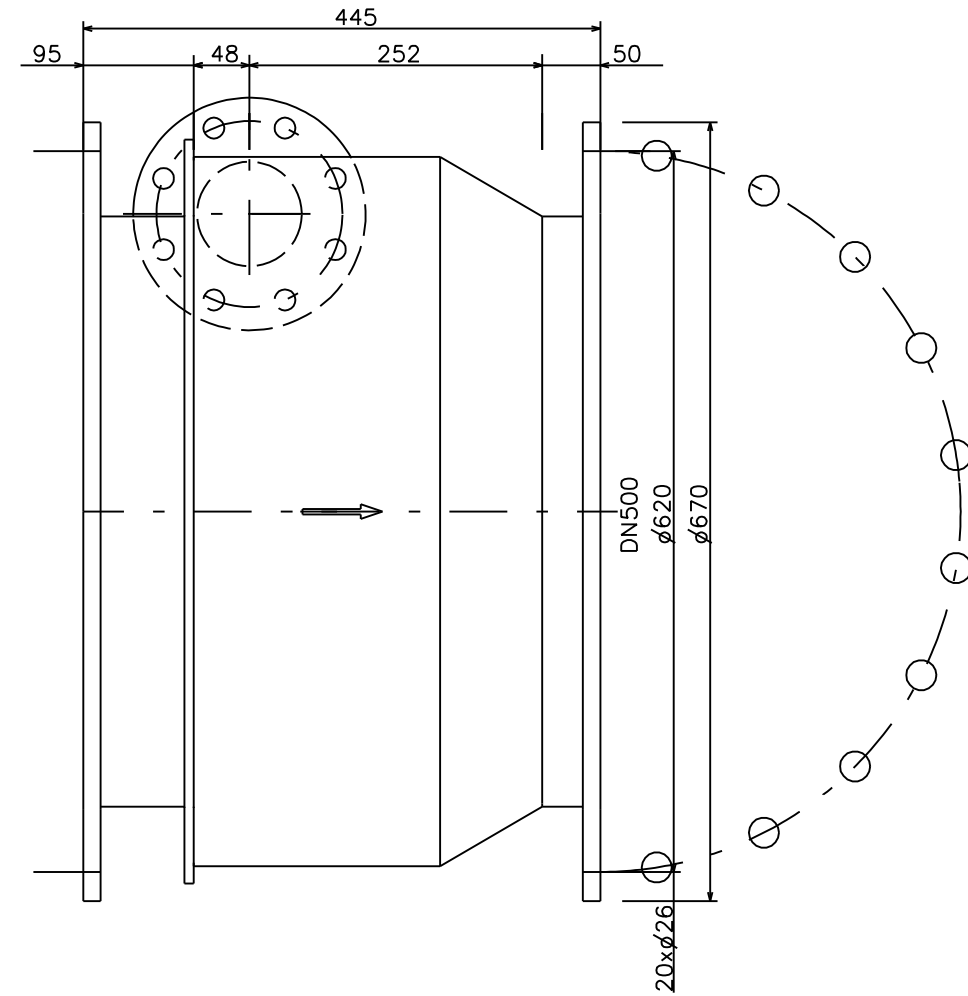
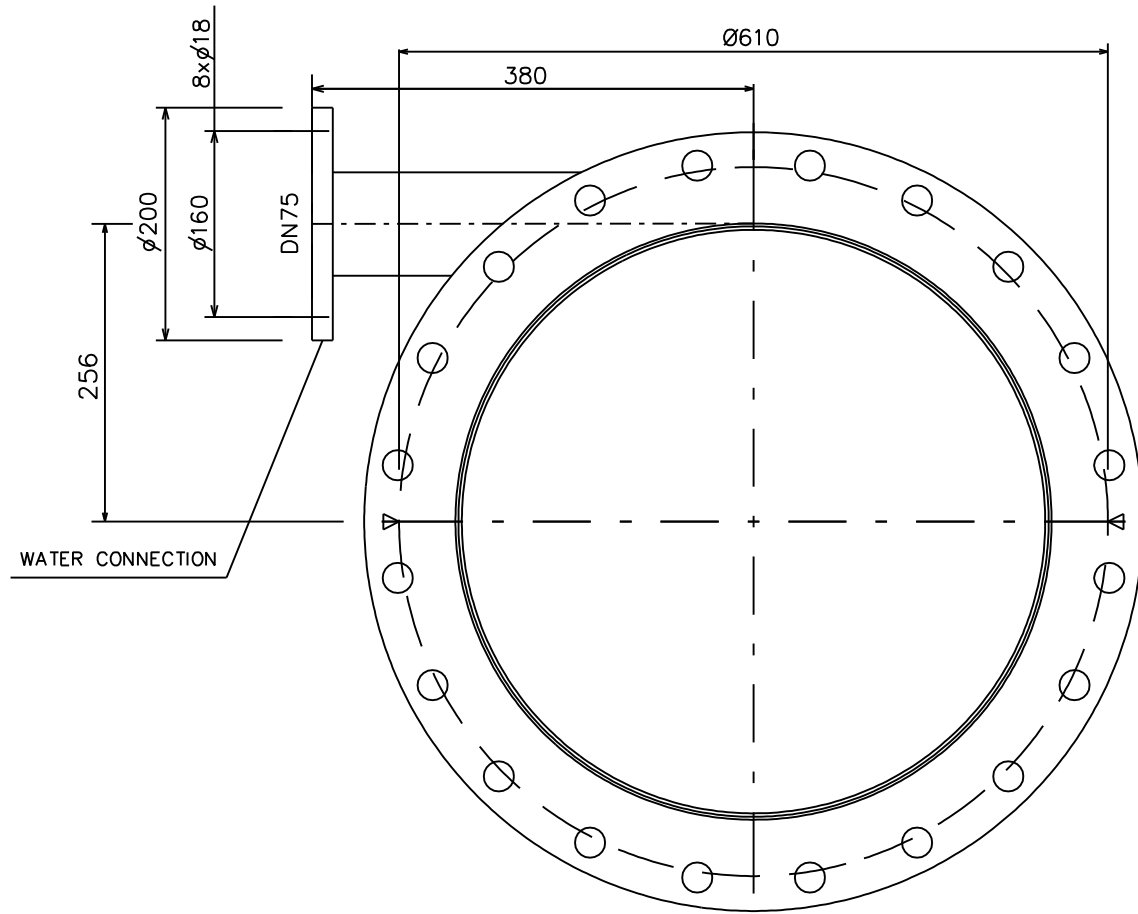


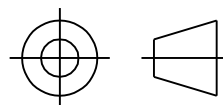
◁ LASNAAD POSITIE




MATERIAL : 1.4539

FLANGES : 1.4404/1.4571

PROJECTION



E			 <b>TIO B.V.</b>
D			
C			
B			
A			
REVISION	D.D	PAR	KRIMPEN A/D IJSSEL
ALL COPYRIGHTS ACCORDING TO THE LAW			

SUBJECT		WI 20	
SCALE		ORDER	
WEIGHT		NUMBER	
DRAWN BY	COMP	DEL.TIME	
CHECKED			
DATE	: 23-3-2015	DRW.NR.:	3911